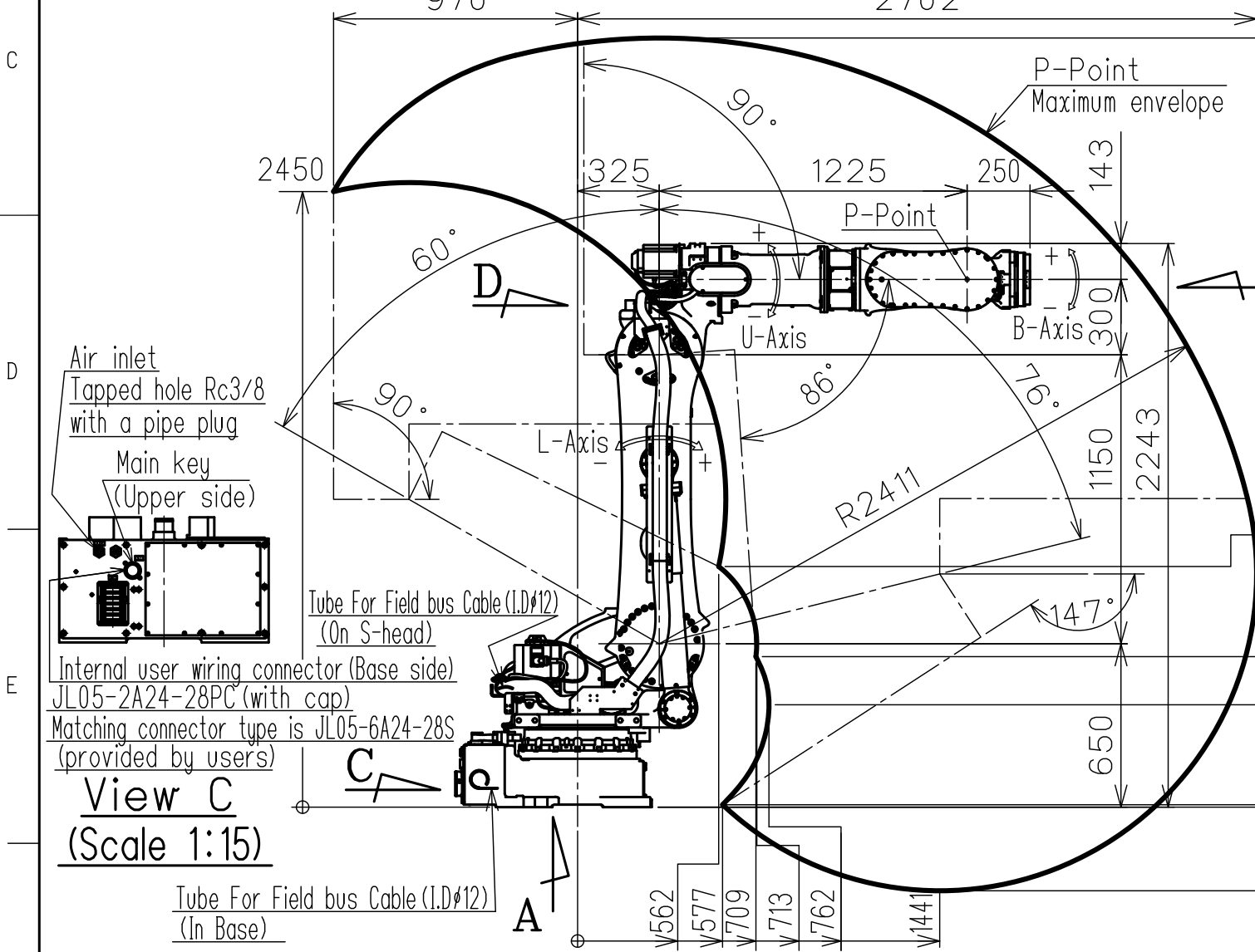
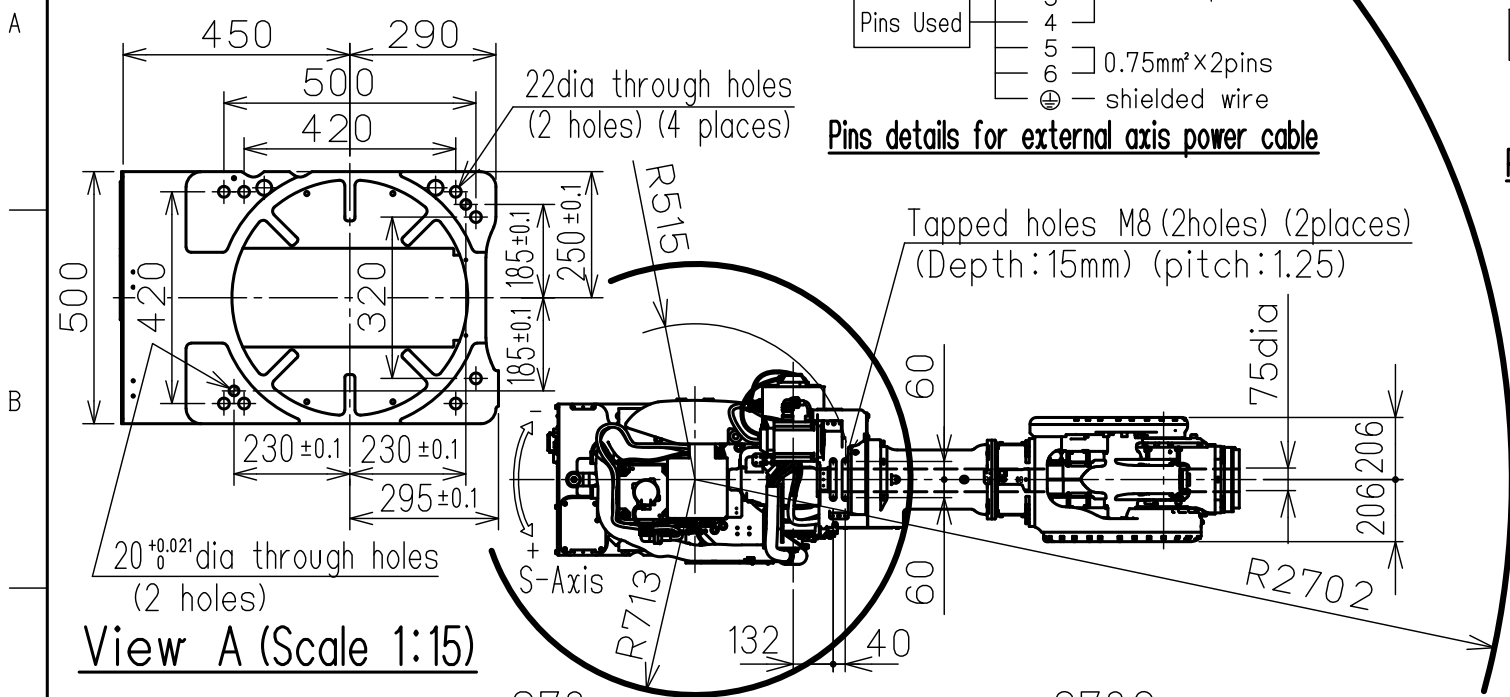


DWG.NO. HW1386005

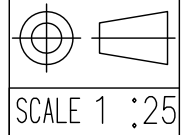


Type	Note
YR-1-06VXH180-A00	STANDARD

Item	Model	MOTOMAN-GP180H
Configuration		Vertically articulated
Degree of Freedom		6
Payload	Wrist	180kg
	On U-arm	30kg
Repeatability (※1)		±0.2 mm
Range of Motion	S-Axis (Turning)	-180° - +180°
	L-Axis (Lower Arm)	-60° - +76°
	U-Axis (Upper Arm)	-86° - +90°
	R-Axis (Roll)	-210° - +210°
	B-Axis (Pitch/Yaw)	-130° - +130°
	T-Axis (Twist)	-360° - +360°
Max Speed	S-Axis	2.09 rad/s, 120°/s
	L-Axis	1.69 rad/s, 97°/s
	U-Axis	2.01 rad/s, 115°/s
	R-Axis	2.62 rad/s, 150°/s
	B-Axis	2.62 rad/s, 150°/s
Allowable Moment	R-Axis	1000 N·m (102kgf·m)
	B-Axis	1000 N·m (102kgf·m)
	T-Axis	618 N·m (63kgf·m)
Allowable Inertia (GD ² /4)	R-Axis	104kg·m ²
	B-Axis	104kg·m ²
	T-Axis	52kg·m ²
Approx. Robot mass		1090kg
Protected structure		Body: IP54 Wrist: IP67
Mounting method		Floor-mounted
Ambient Conditions	Temperature	0 to +45°C
	Humidity	20 to 80%RH (Non-condensing)
	Vibration	4.9m/s ² (0.5G) or less
	Altitude	1000m or less
Others		<ul style="list-style-type: none"> Free from explosive or corrosive gas and liquid. Free from dust, soot, oil, or water. Free from electrical noise. Free from strong magnetic fields.
Power Requirements		5.0kVA
Controller		YRC1000

Note:
 1. All rights reserved.
 2. Please note that the data is subject to be deleted without advance notice.
 3. No warranty is given in relation to the data including the specification.
 4. We are not responsible for any damages or loss caused by the use of the data.

FOR STUDY PURPOSE ONLY



YASKAWA
 株式会社安川電機

Reference Drawing

TITLE MOTOMAN-GP180H
 DIMENSION DIAGRAM

DRWN DATE May.15.'18
 DWG.NO. HW1386005

SIZE A3